

PureLine  
30" Convection Oven

H 6680 BP



# PureLine 30" Convection Oven H 6680 BP



## H 6680 BP

### Features:

- SensorTronic controls: 5-line TFT display with laterally positioned sensor controls that clearly present menu content
- Self Clean Oven
- 18 Operating Modes
- Rapid PreHeat
- MasterChef menu offers over 100 food types to cook to perfection
- Roast Probe for perfect roasting results
- Favorites — up to 20 recipes
- Sabbath Program
- CleanGlass Door
- Timer
- TwinPower Fans provide optimum and even distribution of hot air
- Soft Open and Soft Close for an easier handling
- The simple yet sleek Silhouette handle seems to float enhancing its modern design lines

### SPECIFICATIONS

#### H 6680 BP — Item 22668053USA

Overall Unit Width - Excluding Fascia Dimension	28 <sup>7</sup> / <sub>16</sub> " (722 mm)
Overall Height - Excluding Fascia Dimension	27 <sup>3</sup> / <sub>4</sub> " (705 mm)
Overall Unit Depth - Excluding Fascia Dimensions	23 <sup>3</sup> / <sub>4</sub> " (603 mm)
Oven Door Clearance	22" (558 mm)
Overall Fascia Dimensions	29 <sup>13</sup> / <sub>16</sub> " (757 mm) W x 28 <sup>5</sup> / <sub>8</sub> " (727 mm) H x 7 <sup>1</sup> / <sub>8</sub> " (23 mm) D

#### Built-In

Minimum Cabinet Width	28 <sup>1</sup> / <sub>2</sub> " (724 mm)
Minimum Cabinet Depth	24" (610 mm)
Minimum Cabinet Opening Height	28 <sup>1</sup> / <sub>4</sub> " (718 mm)
Minimum Base Support	193 lbs

Additional Cut-outs Required  
Venting cut-out required at base of cabinet (4" x 28" / 100 mm x 720 mm) in the bottom of the cabinet for power cord and ventilation

#### Electrical

Electrical Requirements	208/240V, 30A, 60Hz
Power Cord	Yes - NEMA 14-30 plug 6 ft (1.8 m)
Electrical Rating	120/208V, 30A, 60Hz, 5000w 120/240V, 30A, 60Hz, 6700w
Total Amps	28A (240V) / 24A (208V)

#### Shipping

Shipping Weight	216 lbs
Shipping Dimensions	32 <sup>11</sup> / <sub>16</sub> " W x 35 <sup>1</sup> / <sub>16</sub> " H x 30 <sup>5</sup> / <sub>16</sub> " L

#### Support

Call Miele	800.843.7231
Miele Website	<a href="http://www.mieleusa.com">www.mieleusa.com</a>
20/20 Link	<a href="http://2020technologies.com">2020technologies.com</a>

## HANDLE SPECIFICATIONS

<p><b>Comfort Handle:</b> Standard with ContourLine (DS 6708 Item #09828380)</p>	<p><b>ComfortSwivel Handle:</b> Optional for ContourLine Optional for PureLine (DS 6718 Item # 09828390)</p>
--	--

<p>Comfort Handle standard on H 6180 BP</p>		<p>ComfortSwivel Handle standard on H 6580 BP</p>
---	--	---

<p><b>Silhouette Handle:</b> Standard with Pureline Optional for Contourline (DS 6808 Item # 09828400)</p>	
--	--

<p>Silhouette Handle standard on H 6280 BP and H 6680 BP</p>	
--	--

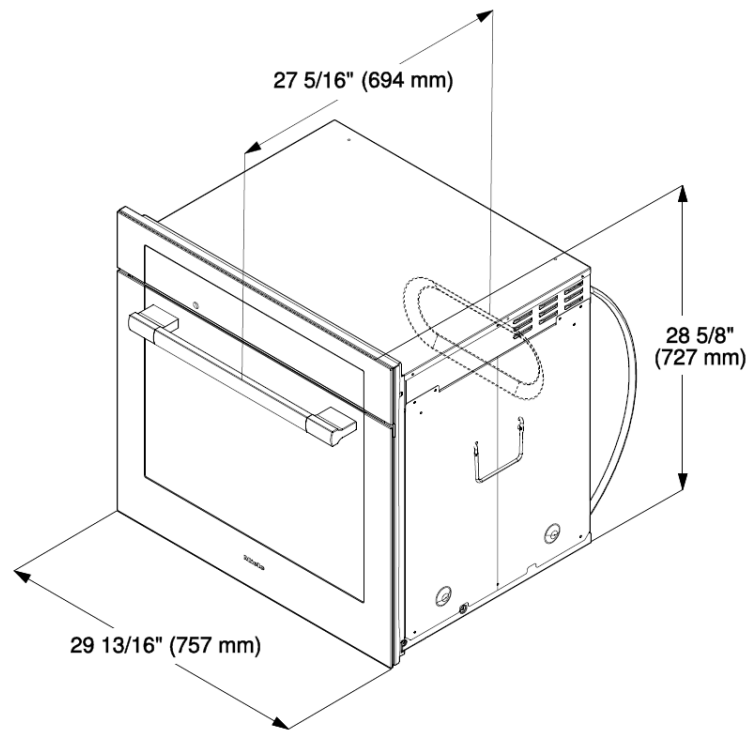
<p><b>Silhouette Handle (Chrome):</b> Standard with BrilliantWhite (DS 6808 Item # 09828410)</p>	<p><b>Silhouette Handle:</b> Standard with Truffle Brown (DS 6808 Item # 09870690)</p>
--	--

# PureLine 30" Convection Oven H 6680 BP

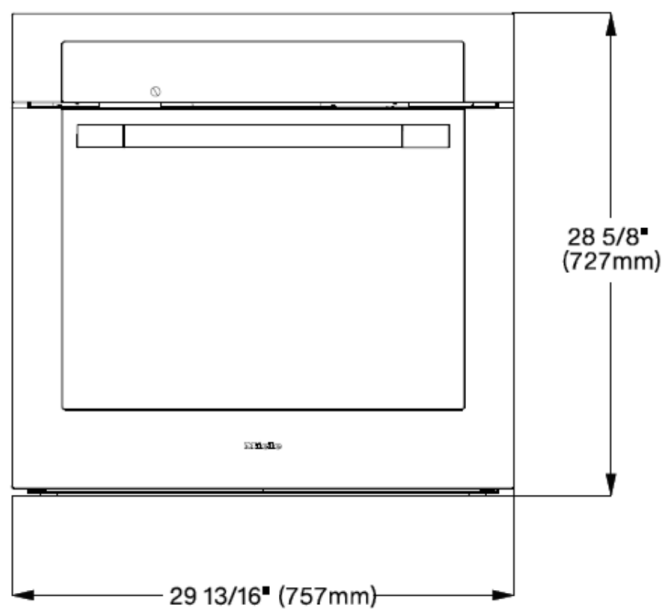


## PRODUCT VIEWS

Isometric



Front

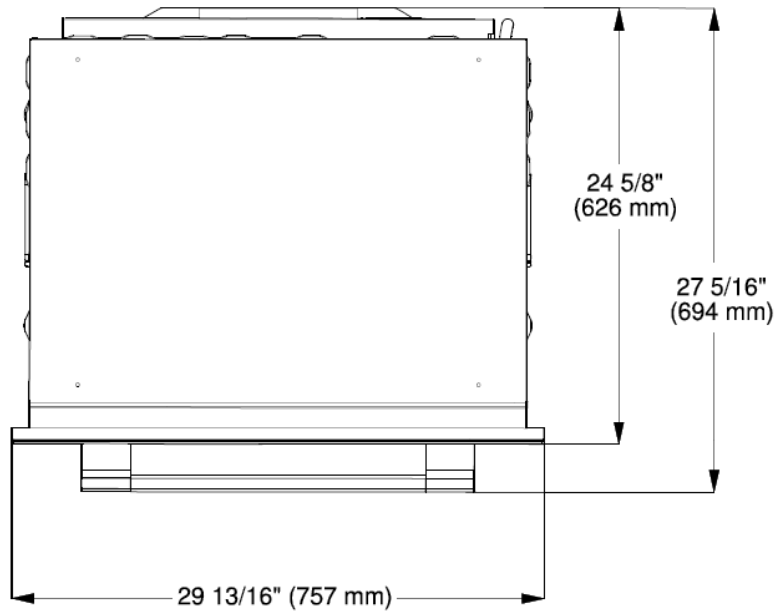


# PureLine 30" Convection Oven H 6680 BP

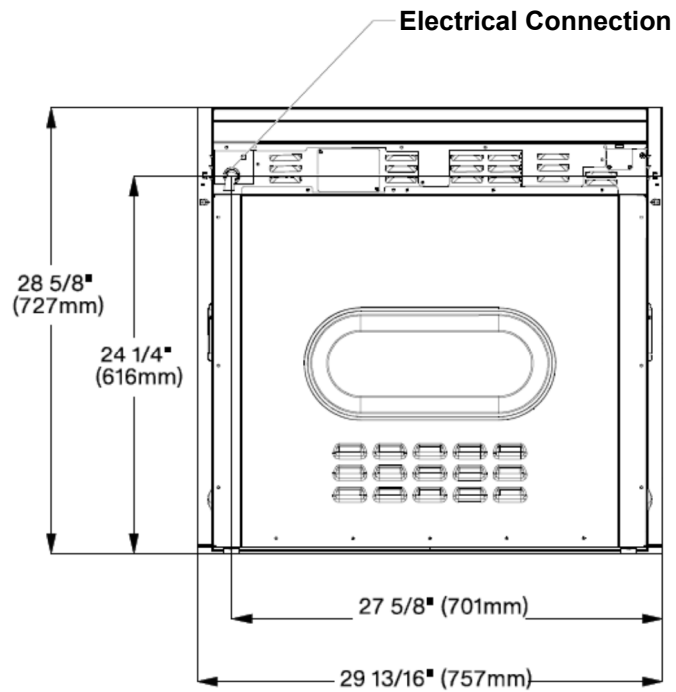


## PRODUCT VIEWS

Top View



Rear View

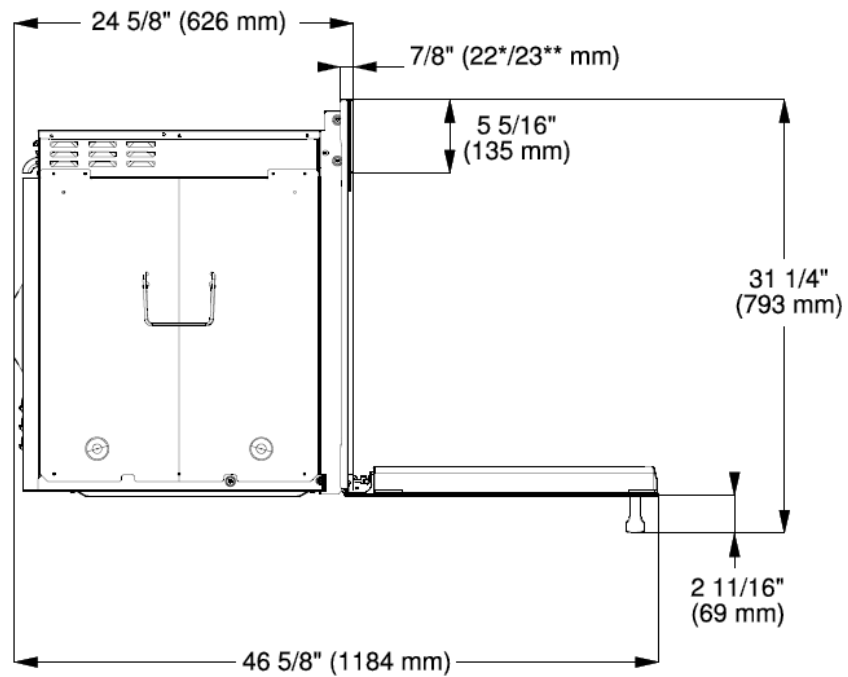


# PureLine 30" Convection Oven H 6680 BP



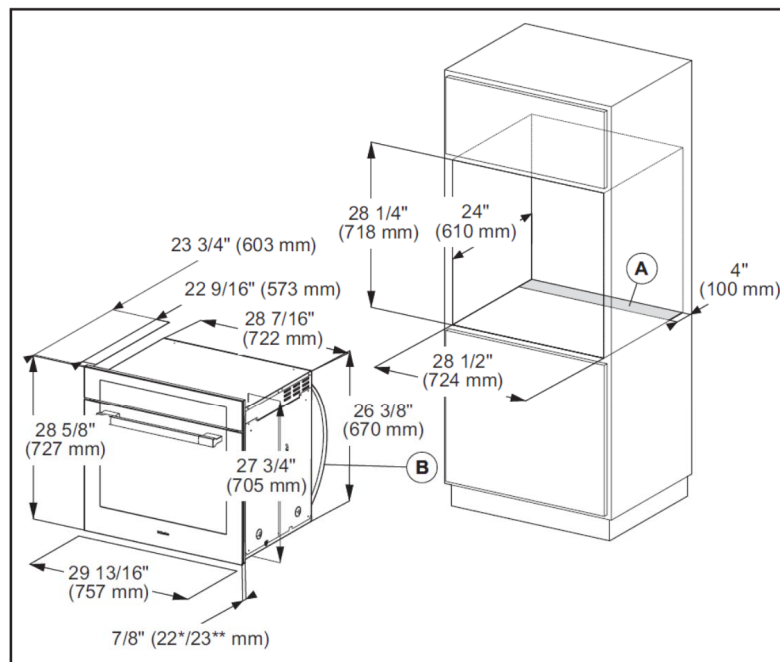
## PRODUCT VIEWS

Side View



## INSTALLATION SPECIFICATIONS

Install in Tall Cabinet



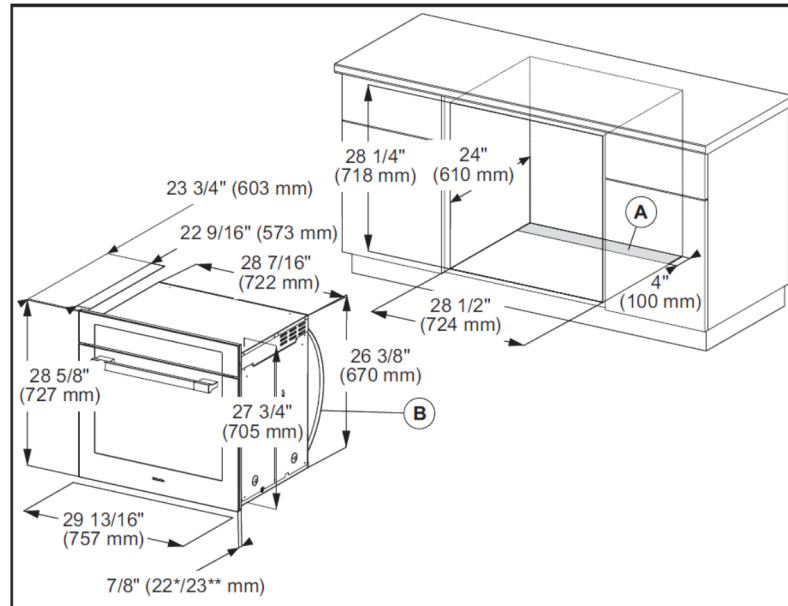
- Ⓐ Cut-out (4" x 28" / 100 mm x 720 mm) in the bottom of the cabinet for power cord and ventilation
- Ⓑ Power cord with plug
- \* Oven with glass front
- \*\* Oven with metal front

# PureLine 30" Convection Oven H 6680 BP



## INSTALLATION SPECIFICATIONS

### Undercounter Installation



Ⓐ Cut-out (4" x 28" / 100 mm x 720 mm) in the bottom of the cabinet for power cord and ventilation

Ⓑ Power cord with plug

\* Oven with glass front

\*\* Oven with metal front

### Undercounter Installation Front view Installed

